

# Low headroom Hoists

**New: LHATP low headroom hoists**  
 The trolley for applications for limited head room.  
 Capacity: 2 - 12 ton

With the LHATP series we introduce a new series of trolley's for those applications where a standard trolley has a too big headroom. With this special serie the hoist is built-in in the frame of the trolley to decrease the distance of the lower hook to the beam to an absolute minimum.

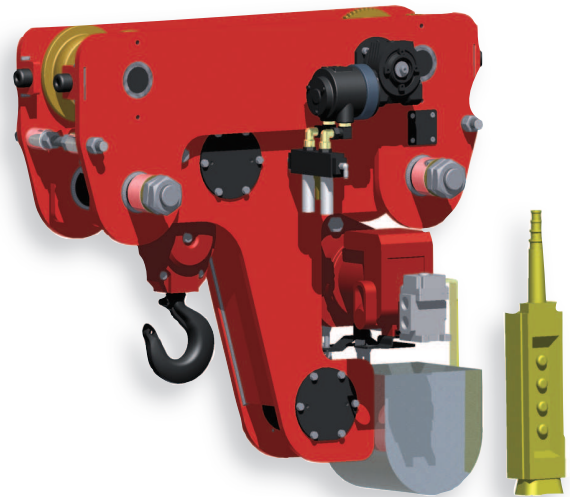
**Features:**

- State of the art with new drive motor for the trolley
- Low maintenance and wearing of the drive motor through less parts
- Accurate speed control at lifting and lowering
- Accurate speed control of the trolley
- Adjustable at a range of beam sizes

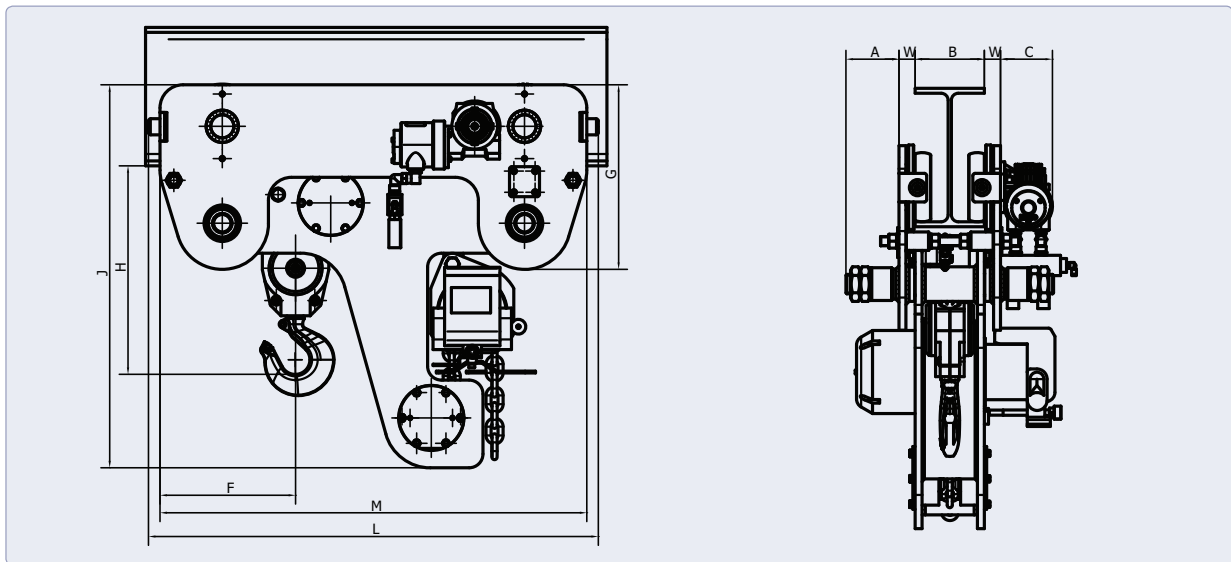
The low head room trolley's are available as standard version (order-number LHATP...) or as spark resistant version with bronze wheels, bronze coated hooks for explosion dangerous areas (order number LHATPSR) with Atex certificate.

**Optional**

- Rack and pinion drive
- Marine paint (with certificate)



Low headroom 6 ton



Typ	A mm	C mm	F mm	G mm	H mm	J mm	L mm	M mm	W mm
LHATP-2000	115	140	138	245	333	656	570	520	27
LHATP-3000	115	140	294	400	370	830	975	925	35
LHATP-6000	115	140	294	400	475	830	975	925	35
LHATP-12000	160	160	398	425	609	873	1.235	1.185	40