

# Impact sockets for optimal performance and safety

## Quick-Change Adapters

Type	Drive-in	Drive-out
D069110C08	1/4"	1/4"
D069111C12	3/8"	3/8"
D069111C16	3/8"	1/2"
D069112C12	1/2"	3/8"
D069112C16	1/2"	1/2"
D069114C16	3/4"	1/2"
D069114C24	3/4"	3/4"
D069115C24	1"	3/4"
D069115C32	1"	1"

Type	Square-drive	Hex chuck	D2 mm	L mm
D069121B08	3/8"	1/4"	22	33
D069122B08	1/2"	1/4"	25	41



## 1/2" Stud Bolt Setters

Type	Size	D2 mm	D1 mm	L mm
D069782010	M6 x P1,0	25	13	55
D069782018	M8 x P1,25	25	15	55
D069782021	M10 x P 1,25	25	18	55
D069782022	M10 x P1,5	25	17	55
D069782027	M12 x P1,75	25	19	55
D069782030	M14 x P1,5	25	23	55
D069782031	M14 x P2,0	25	22	55
D069782034	M16 x P1,5	30	28	75
D069782035	M16 x P2,0	30	27	75
D069782040	M20 x P1,5	30	30	75
D069782041	M20 x P2,5	30	30	75

## 3/8" Stud Bolt Setters

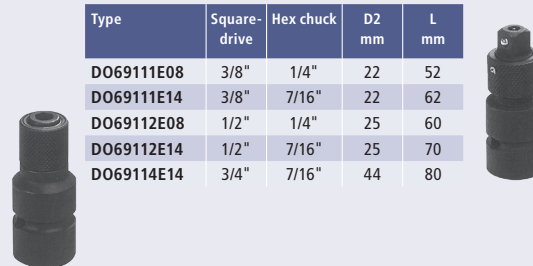
Type	Size	D2 mm	D1 mm	L2 mm
D069781053	M6 x P1,0	22	12,5	50
D069781060	M8 x P1,25	22	14,5	50



## Quickchange Adapters

SLEEVE DRIVE FOR IMPULSE WRENCHES

Type	Drive-in	Drive-out	D2 mm	L mm
D069151116	3/8"	1/2"	20	80
D069152112	1/2"	3/8"	25	75
D069154116	3/4"	1/2"	44	90
D069151112	3/8"	3/8"	19	75
D069151212	3/8"	3/8"	19	100
D069152216	1/2"	1/2"	25	100
D069154324	3/4"	3/4"	44	125

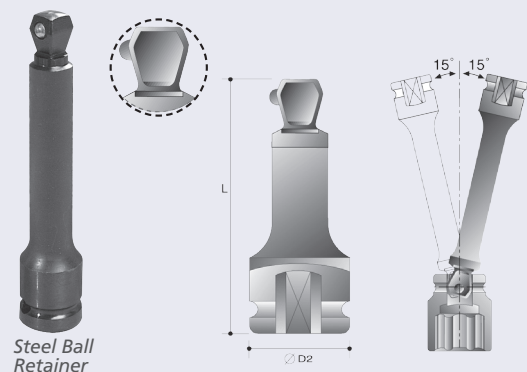


Type	Square-drive	Hex chuck	D2 mm	L mm
D069111E08	3/8"	1/4"	22	52
D069111E14	3/8"	7/16"	22	62
D069112E08	1/2"	1/4"	25	60
D069112E14	1/2"	7/16"	25	70
D069114E14	3/4"	7/16"	44	80

## Wobble Extension Bars

STEEL BALL RETAINER

Type	Square-drive	Outside	D2 mm	L mm
D06450F050	1/4"	1/4"	13	50
D06450F075	1/4"	1/4"	13	75
D06450F100	1/4"	1/4"	13	100
D06451F050	3/8"	3/8"	19	50
D06451F075	3/8"	3/8"	19	75
D06451F100	3/8"	3/8"	19	100
D06451F200	3/8"	3/8"	19	200
D06452F075	1/2"	1/2"	25	75
D06452F125	1/2"	1/2"	25	125
D06452F200	1/2"	1/2"	25	200



## 3/4" Impact sockets extra long for wheel nuts

Type	A/F mm	D1 mm	D2 mm	L mm	L2 mm
D061145024	24	38,5	44	270	24
D061145027	27	42	44	270	27
D061145030	30	45	44	270	30
D061145032	32	47	44	270	32
D061145033	33	48	44	270	32
D061145036	36	53,5	44	270	32



## Magnetic sleeve inserts for impact sockets

Type	Square-drive	Outside	Shape	D2 mm	L mm
D069881P16	3/8"	1/2"	A	25	22
D069882P24	1/2"	3/4"	A	44	30
D069884P32	3/4"	1"	B	54	35

